

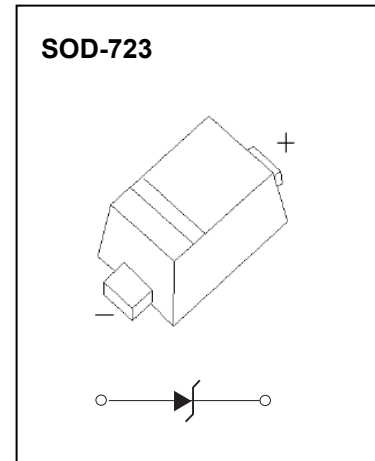


SOD-723 Plastic-Encapsulate Diode

BZX784B5V1-BZX784B20 ZENER DIODE

FEATURES

- Planar Die Construction
- 100mW Power Dissipation
- Zener Voltages from 5.1 – 20V



Maximum Ratings @TA=25°C unless otherwise specified

Characteristic	Symbol	Value	Unit
Forward Voltage @I _F =10mA	V _F	0.9	V
Power Dissipation (Note 1)	P _d	100	mW
Thermal Resistance, Junction to Ambient Air	R _{θJA}	1250	°C/W
Junction Temperature	T _j	150	
Storage Temperature Range	T _{stg}	-55 ~ +150	

ELECTRICAL CHARACTERISTICS

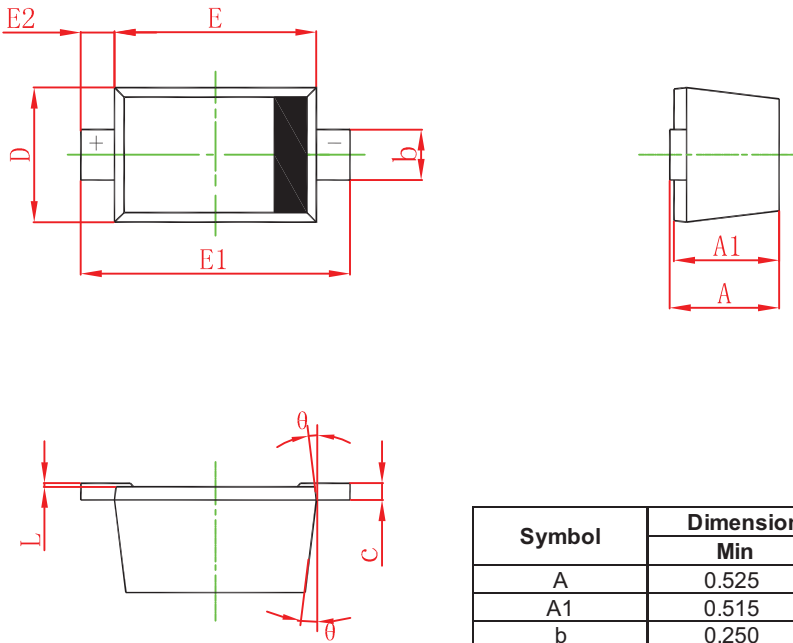
$T_a=25^{\circ}\text{C}$ unless otherwise specified

Type Number	Type Code	Zener Voltage Range (Note 2)				Maximum Zener Impedance (Note 3)			Maximum Reverse Current		Typical Temperature Coefficient @ $I_{ZT}=5\text{ mA}$ $\text{mV}/^{\circ}\text{C}$	
		$V_Z@I_{ZT}$			I_{ZT}	$Z_{ZT}@I_{ZT}$	$Z_{ZK}@I_{ZK}$	I_{ZK}	I_R	V_R	Min	Max
		Nom(V)	Min(V)	Max(V)	mA	Ω	mA	μA	V			
BZX784B5V1	X2	5.1	5.00	5.20	5	60	480	1.0	2	2.0	-2.7	1.2
BZX784B5V6	X3	5.6	5.49	5.71	5	40	400	1.0	1	2.0	-2.0	2.5
BZX784B6V2	X4	6.2	6.08	6.32	5	10	150	1.0	3	4.0	0.4	3.7
BZX784B6V8	X5	6.8	6.66	6.94	5	15	80	1.0	2	4.0	1.2	4.5
BZX784B7V5	X6	7.5	7.35	7.65	5	15	80	1.0	1	5.0	2.5	5.3
BZX784B8V2	X7	8.2	8.04	8.36	5	15	80	1.0	0.7	5.0	3.2	6.2
BZX784B9V1	X8	9.1	8.92	9.28	5	15	100	1.0	0.5	6.0	3.8	7.0
BZX784B10	X9	10	9.80	10.20	5	20	150	1.0	0.2	7.0	4.5	8.0
BZX784B11	W1	11	10.78	11.22	5	20	150	1.0	0.1	8.0	5.4	9.0
BZX784B12	W2	12	11.76	12.24	5	25	150	1.0	0.1	8.0	6.0	10.0
BZX784B13	W3	13	12.74	13.26	5	30	170	1.0	0.1	8.0	7.0	11.0
BZX784B15	W4	15	14.70	15.30	5	30	200	1.0	0.1	10.5	9.2	13.0
BZX784B16	W5	16	15.68	16.32	5	40	200	1.0	0.1	11.2	10.4	14.0
BZX784B18	W6	18	17.64	18.36	5	45	225	1.0	0.1	12.6	12.4	16.0
BZX784B20	W7	20	19.60	20.40	5	55	225	1.0	0.1	14.0	14.4	18.0

Notes:

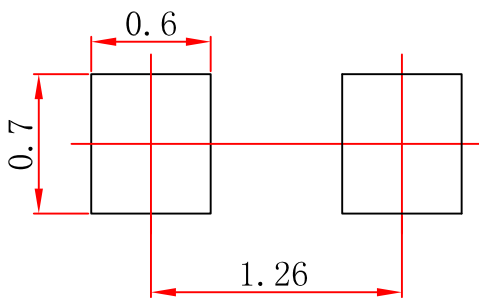
1. Valid provided that device terminals are kept at ambient temperature.
2. Tested with pulses, period=5ms,pulse width =300us.
3. $f = 1\text{KHz}$

SOD-723 Package Outline Dimensions



Symbol	Dimensions In Millimeters		Dimensions In Inches	
	Min	Max	Min	Max
A	0.525	0.650	0.021	0.026
A1	0.515	0.580	0.020	0.023
b	0.250	0.350	0.010	0.014
c	0.080	0.150	0.003	0.006
D	0.550	0.650	0.022	0.026
E	0.900	1.100	0.035	0.043
E1	1.300	1.500	0.051	0.059
E2	0.200 REF		0.008 REF	
L	0.010	0.070	0.001	0.003
theta	7° REF		7° REF	

SOD-723 Suggested Pad Layout



Note:

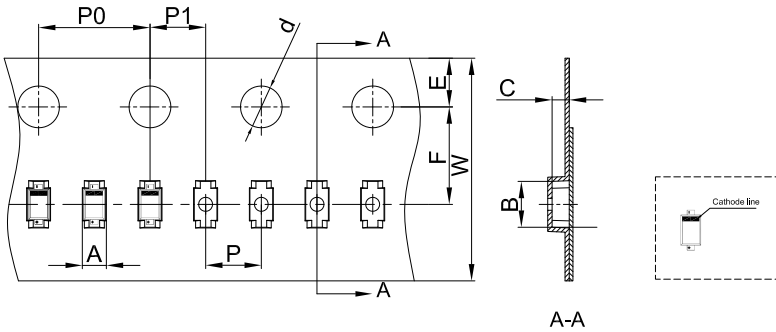
1. Controlling dimension: in millimeters.
2. General tolerance: ± 0.05 mm.
3. The pad layout is for reference purposes only.

NOTICE

JCET reserve the right to make modifications, enhancements, improvements, corrections or other changes without further notice to any product herein. JCET does not assume any liability arising out of the application or use of any product described herein.

SOD-723 Tape and Reel

SOD-723 Embossed Carrier Tape



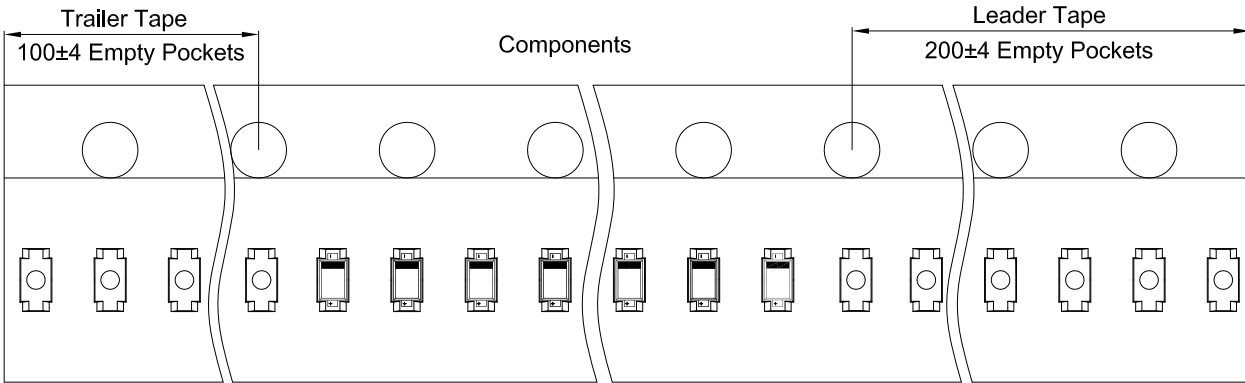
Packaging Description:

SOD-723 parts are shipped in tape. The carrier tape is made from a dissipative (carbon filled) polycarbonate resin. The cover tape is a multilayer film (Heat Activated Adhesive in nature) primarily composed of polyester film, adhesive layer, sealant, and anti-static sprayed agent. These reeled parts in standard option are shipped with 8,000 units per 7" or 17.8cm diameter reel. The reels are clear in color and is made of polystyrene plastic (anti-static coated).

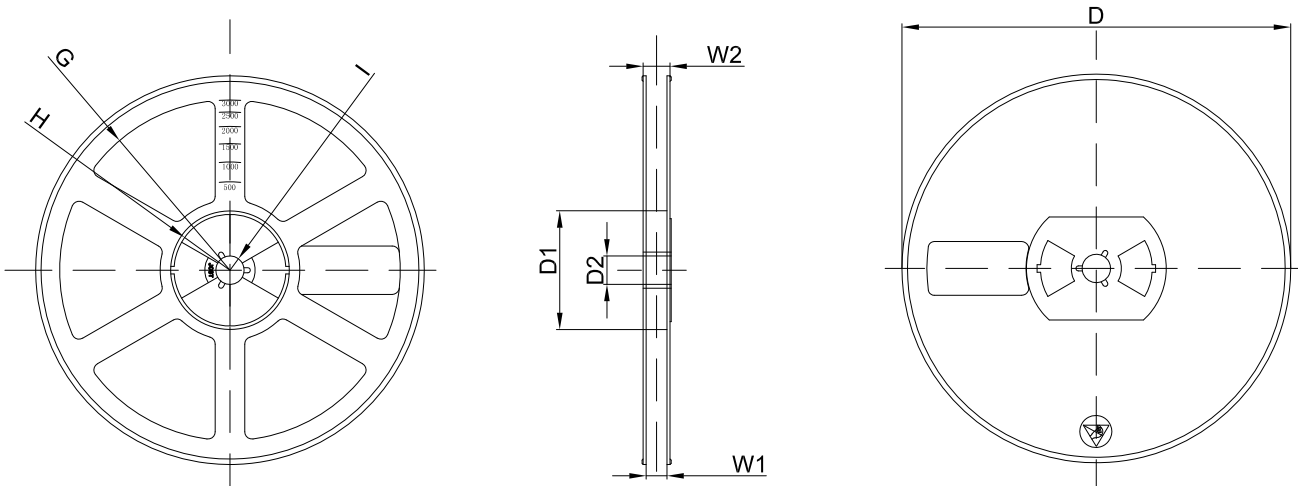
Note: If it is the product of the same polarity, the cathode line should be removed.

Dimensions are in millimeter										
Pkg type	A	B	C	d	E	F	P0	P	P1	W
SOD-723	0.73	1.71	0.62	Ø1.50	1.75	3.50	4.00	2.00	2.00	8.00

SOD-723 Tape Leader and Trailer



SOD-723 Reel



Dimensions are in millimeter								
Reel Option	D	D1	D2	G	H	I	W1	W2
7" Dia	Ø178.00	54.40	13.00	R78.00	R25.60	R6.50	9.50	12.30

REEL	Reel Size	Box	Box Size(mm)	Carton	Carton Size(mm)	G.W.(kg)
8000 pcs	7 inch	120,000 pcs	203×203×195	480,000 pcs	438×438×220	