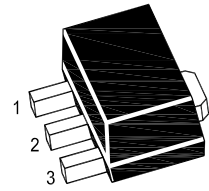


# 78L15U

## 3-Terminal positive voltage regulator



1. Output 2. Common 3. Input  
SOT-89 Plastic Package

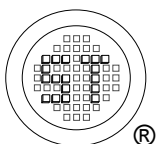
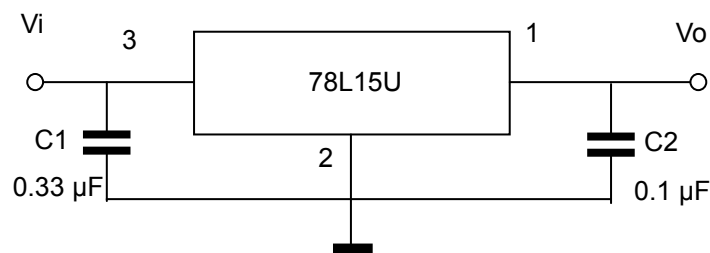
### Absolute Maximum Ratings ( $T_a = 25^\circ\text{C}$ )

Parameter	Symbol	Value	Unit
Input Voltage	$V_{IN}$	35	V
Power Dissipation	$P_{tot}$	800 <sup>1)</sup>	mW
Operating Temperature	$T_{opr}$	- 30 to + 75	$^\circ\text{C}$
Storage Temperature Range	$T_{stg}$	- 55 to + 150	$^\circ\text{C}$

<sup>1)</sup> 15 mm x 25 mm x 0.7 mm alumina ceramic board,  $T_a \leq 25^\circ\text{C}$

### Electrical Characteristics (Unless otherwise specified, $V_{IN} = 23\text{ V}$ , $I_{OUT} = 40\text{ mA}$ , $C_{IN} = 0.33\ \mu\text{F}$ , $C_{OUT} = 0.1\ \mu\text{F}$ , $T_j = 25^\circ\text{C}$ )

Parameter	Symbol	Min.	Typ.	Max.	Unit
Output Voltage	$V_{OUT}$	14.4	15	15.6	V
Output Voltage $17.5\text{ V} \leq V_{IN} \leq 30\text{ V}$ , $1\text{ mA} \leq I_{OUT} \leq 40\text{ mA}$	$V_{OUT}$	14.25	-	15.75	V
Output Voltage $V_{IN} = 23\text{ V}$ , $1\text{ mA} \leq I_{OUT} \leq 70\text{ mA}$	$V_{OUT}$	14.25	-	15.75	V
Input Regulation $17.5\text{ V} \leq V_{IN} \leq 30\text{ V}$ $19\text{ V} \leq V_{IN} \leq 30\text{ V}$	Reg. line	-	-	300 250	mV
Load Regulation $1\text{ mA} \leq I_{OUT} \leq 100\text{ mA}$ $1\text{ mA} \leq I_{OUT} \leq 40\text{ mA}$	Reg. load	-	-	150 75	mV
Quiescent Current	$I_Q$	-	-	6.5	mA
Quiescent Current Change $19\text{ V} \leq V_{IN} \leq 30\text{ V}$ $1\text{ mA} \leq I_{OUT} \leq 40\text{ mA}$	$\Delta I_Q$	-	-	1.5 0.1	mA
Output Noise Voltage at $T_a = 25^\circ\text{C}$ , $10\text{ Hz} \leq f \leq 100\text{ KHz}$	$V_{NO}$	-	90	-	$\mu\text{V}$
Ripple Rejection at $f = 120\text{ Hz}$ , $18.5\text{ V} \leq V_{IN} \leq 28.5\text{ V}$ , $T_j = 25^\circ\text{C}$	RR	34	-	-	dB
Dropout Voltage at $T_j = 25^\circ\text{C}$	$ V_{IN} - V_{OUT} $	-	1.7	-	V



**SEMTECH ELECTRONICS LTD.**

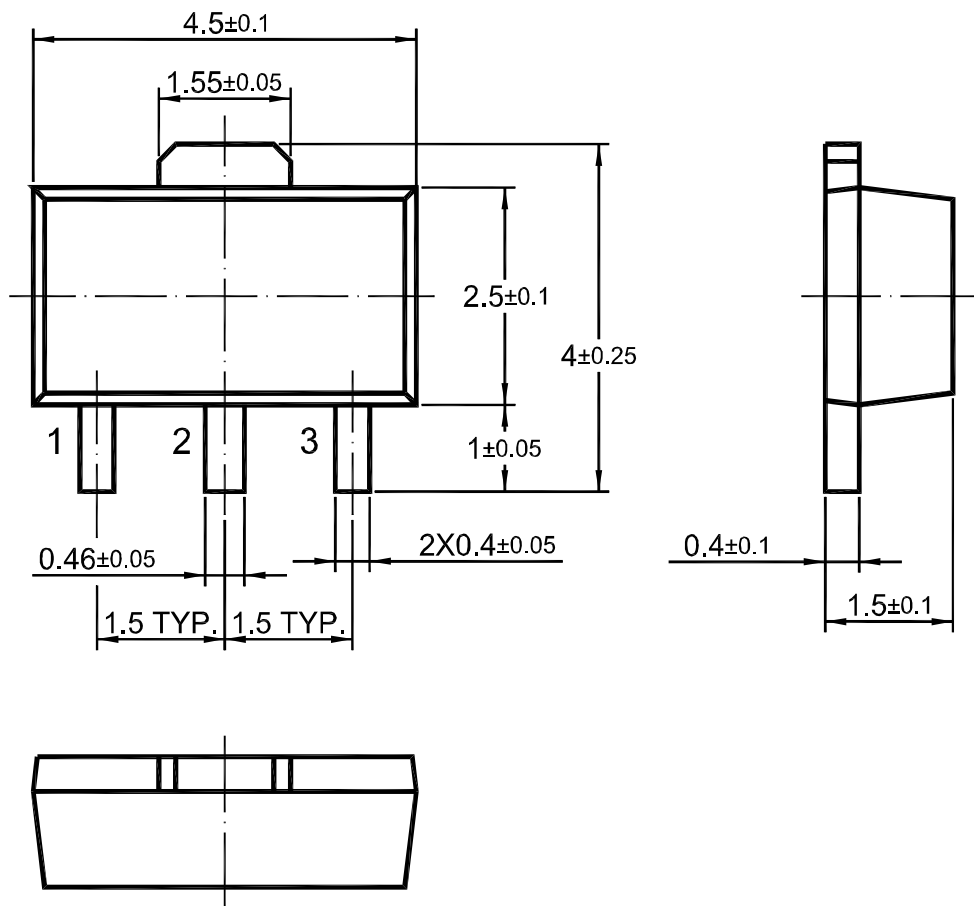


ISO/TS 16949 : 2009 Certificate No. 160713009  
 ISO14001 : 2004 Certificate No. 7116  
 ISO 9001 : 2008 Certificate No. 50719410  
 BS-OHSAS 18001 : 2007 Certificate No. 7116  
 IECQ QC 080000 Certificate No. PSC-HSPM-1465-1

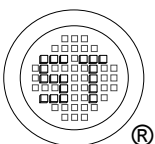
Dated: 25/03/2016 Rev: 04

# 78L15U

## SOT-89 PACKAGE OUTLINE



Dimensions in mm



**SEMTECH ELECTRONICS LTD.**



Dated: 25/03/2016 Rev: 04