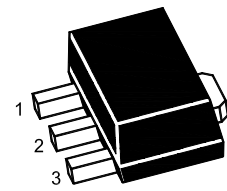


78L06U

3-Terminal Positive Voltage Regulator



1.OUT 2.GND 3.IN
SOT-89 Plastic Package

Absolute Maximum Ratings ($T_a = 25^\circ\text{C}$)

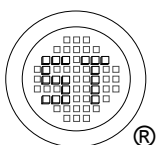
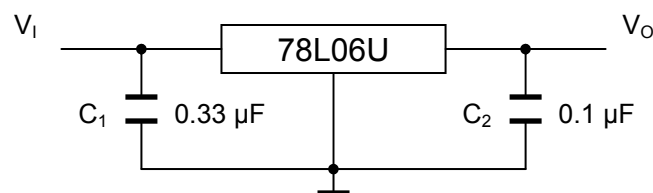
Parameter	Symbol	Value	Unit
Input Voltage	V_I	30	V
Power Dissipation	P_{tot}	800 ¹⁾	mW
Operating Temperature	T_{opr}	- 20 to + 120	$^\circ\text{C}$
Storage Temperature Range	T_s	- 55 to + 150	$^\circ\text{C}$

¹⁾ 15 mm x 25 mm x 0.7 mm alumina ceramic board, $T_a \leq 25^\circ\text{C}$

Electrical Characteristics ($T_a = 25^\circ\text{C}$)

(Unless otherwise specified, $0^\circ\text{C} \leq T_j \leq 125^\circ\text{C}$, $V_I = 11\text{ V}$, $I_o = 40\text{ mA}$, $C_1 = 0.33\ \mu\text{F}$, $C_o = 0.1\ \mu\text{F}$)

Parameter	Symbol	Test Condition	Min.	Typ.	Max.	Unit
Output Voltage	V_o	$T_j = 25^\circ\text{C}$	5.76	6	6.24	V
		$8.5\text{ V} \leq V_I \leq 21\text{ V}$, $1\text{ mA} \leq I_o \leq 40\text{ mA}$	5.7	-	6.3	V
		$V_I = 11\text{ V}$, $1\text{ mA} \leq I_o \leq 70\text{ mA}$	5.7	-	6.3	V
Line Regulation	Regline	$8.5\text{ V} \leq V_I \leq 21\text{ V}$, $T_j = 25^\circ\text{C}$	-	-	155	mV
		$9\text{ V} \leq V_I \leq 21\text{ V}$, $T_j = 25^\circ\text{C}$	-	-	105	
Load Regulation	Regload	$1\text{ mA} \leq I_o \leq 100\text{ mA}$, $T_j = 25^\circ\text{C}$	-	-	65	mV
		$1\text{ mA} \leq I_o \leq 40\text{ mA}$, $T_j = 25^\circ\text{C}$	-	-	35	
Quiescent Current	I_Q	$T_j = 25^\circ\text{C}$	-	-	5.5	mA
Quiescent Current Change	ΔI_Q	$9\text{ V} \leq V_I \leq 21\text{ V}$, $I_o = 40\text{ mA}$	-	-	1.5	mA
		$V_I = 11\text{ V}$, $1\text{ mA} \leq I_o \leq 40\text{ mA}$	-	-	0.1	
Output Noise Voltage	V_N	$10\text{ Hz} \leq f \leq 100\text{ KHz}$, $T_j = 25^\circ\text{C}$	-	49	-	μV
Ripple Rejection	RR	$f = 120\text{ Hz}$, $9\text{ V} \leq V_I \leq 19\text{ V}$, $T_j = 25^\circ\text{C}$	40	-	-	dB
Dropout Voltage	V_{Drop}	$T_j = 25^\circ\text{C}$	-	1.7	-	V

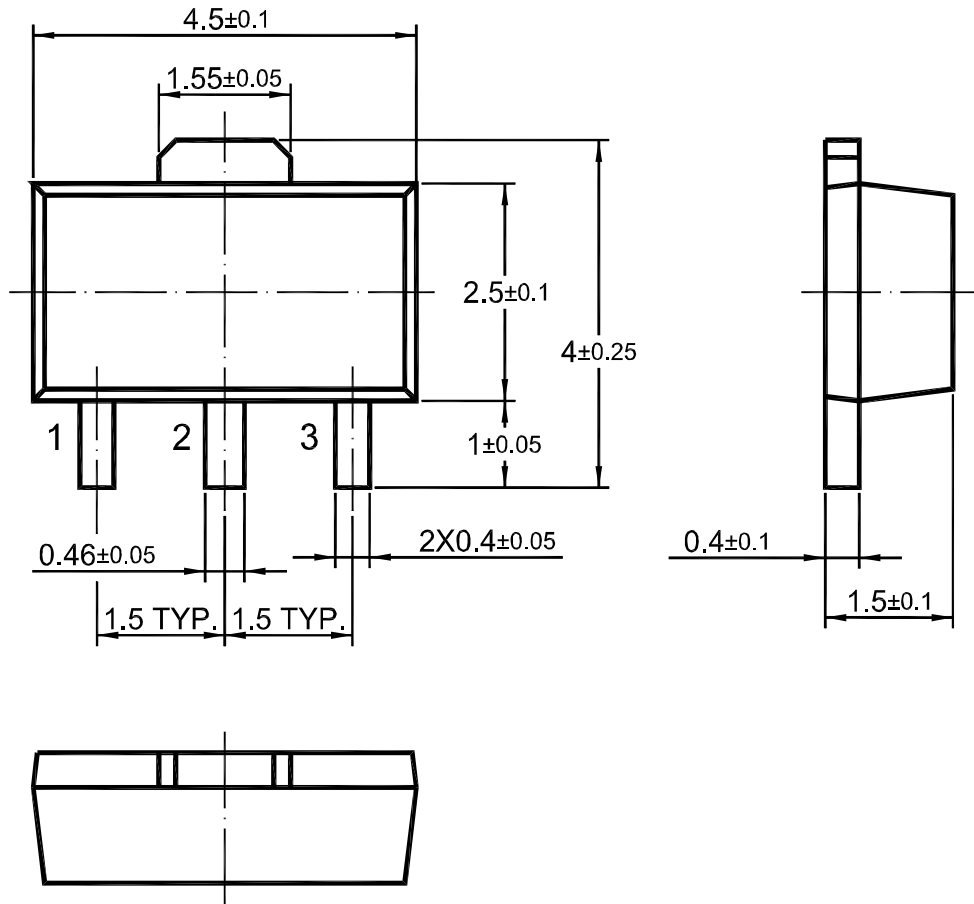


SEMTECH ELECTRONICS LTD.

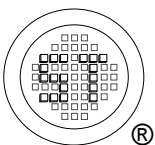


78L06U

SOT-89 PACKAGE OUTLINE



Dimensions in mm



SEMTECH ELECTRONICS LTD.



Dated: 05/03/2016 Rev: 02