

SEMTECH ELECTRONICS LTD.



ISO/TS 16949 : 2008
Certificate No. 16071300



ISO14001 : 2004
Certificate No. 7116



ISO 9001 : 2008
Certificate No. 50719410

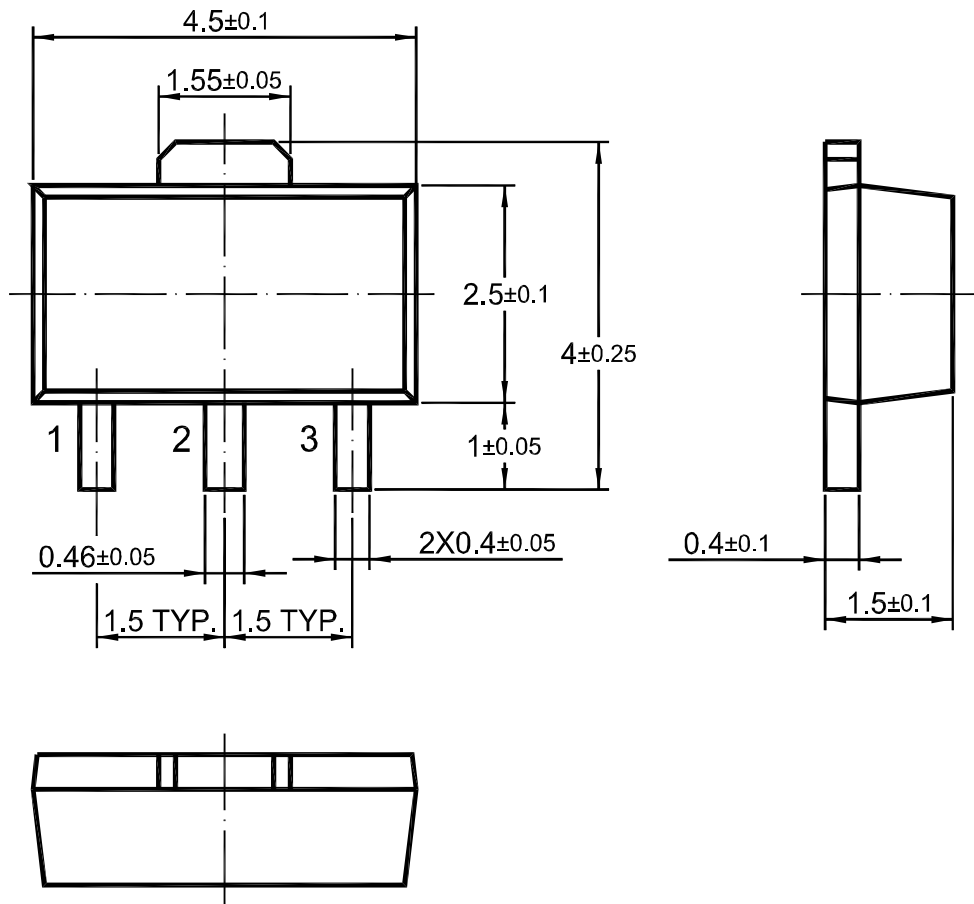


BS-OHSAS 18001 : 2007
Certificate No. 7116

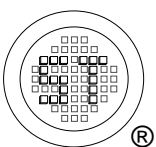


IECQ QC 080000
Certificate No. PRC-1894-1483

SOT-89 PACKAGE OUTLINE



Dimensions in mm



SEMTECH ELECTRONICS LTD.



ISO/TS 16949:2008
Certificate No. 180713000



ISO 14001:2004
Certificate No. 7116



ISO 9001:2008
Certificate No. 50712410



BS-OHSAS 18001:2007
Certificate No. 7116



IECQ QC 080000
Certificate No. PRC-18P4-148-1